

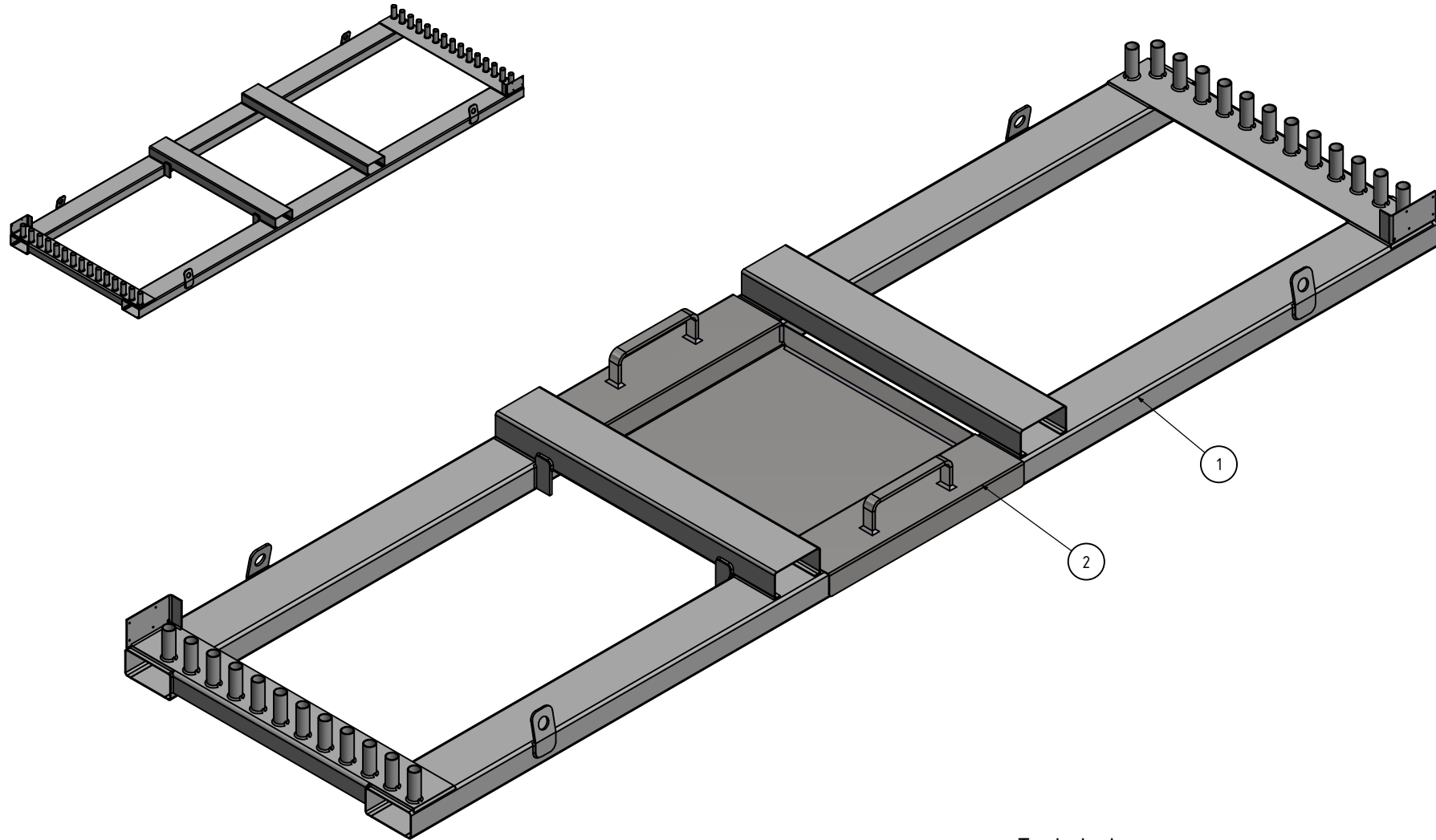
Technical name:

PARTS LIST			
ITEM	QTY	PART NUMBER	DESCRIPTION
1	1	S4T1992 - P1	Sheet 1279 x 680 x 2.50mm
2	2	S4T1992 - P2	Flat 667 x 65 x 2.50mm
3	2	S4T1986 - P4	Flat 419 x 32 x 10mm

<b>NAVASTRID</b>	Copyright reserved	mass raw: 21.01 kg	mass coated
		surface: raw material	material: S235JR
		title	
		Tray for storing fence clamps	
		no. of drawing	1
		S4T1992	A4
status	modification	date	name

NavAstrid Metallwaren  
88, CTH Road, Veppampattu,  
Tamil Nadu - 602024, INDIA.  
Email - navamani@navastrid.de

# Product Demonstration



Technical name:

NAVASTRID	Copyright reserved	mass raw: N/A	mass coated
		surface:	material: S235JR
		title	
	drawn by: 10/10/2020 NavAstrid	no. of drawing <b>S4T1992 PD</b>	
	controlled: 10/10/2020		
	name	2	
	date		
	status	A4	
	modification		
	date		
	name		

PARTS LIST			
ITEM	QTY	PART NUMBER	DESCRIPTION
1	1	S4T1976 (neu)	TP for 25 metal fence
2	1	S4T1992	Tray for storing fence clamps