

Technical name:

| PARTS LIST | | | | |
|------------|-----|--------------|-----------------------------------|--|
| ITEM | QTY | PART NUMBER | DESCRIPTION | |
| 1 | 1 | S4T1991 - P1 | Square tube 150 x 150 x 710 x 3mm | |
| 2 | 2 | S4T1991 - P2 | Flat 144 x 147 x 3mm | |
| 3 | 2 | S4T1986 - P4 | Flat 228 x 32 x 5mm | |
| 4 | 2 | S4T1991 - P4 | Flat 330 x 32 x 10mm | |

NAVASTRID

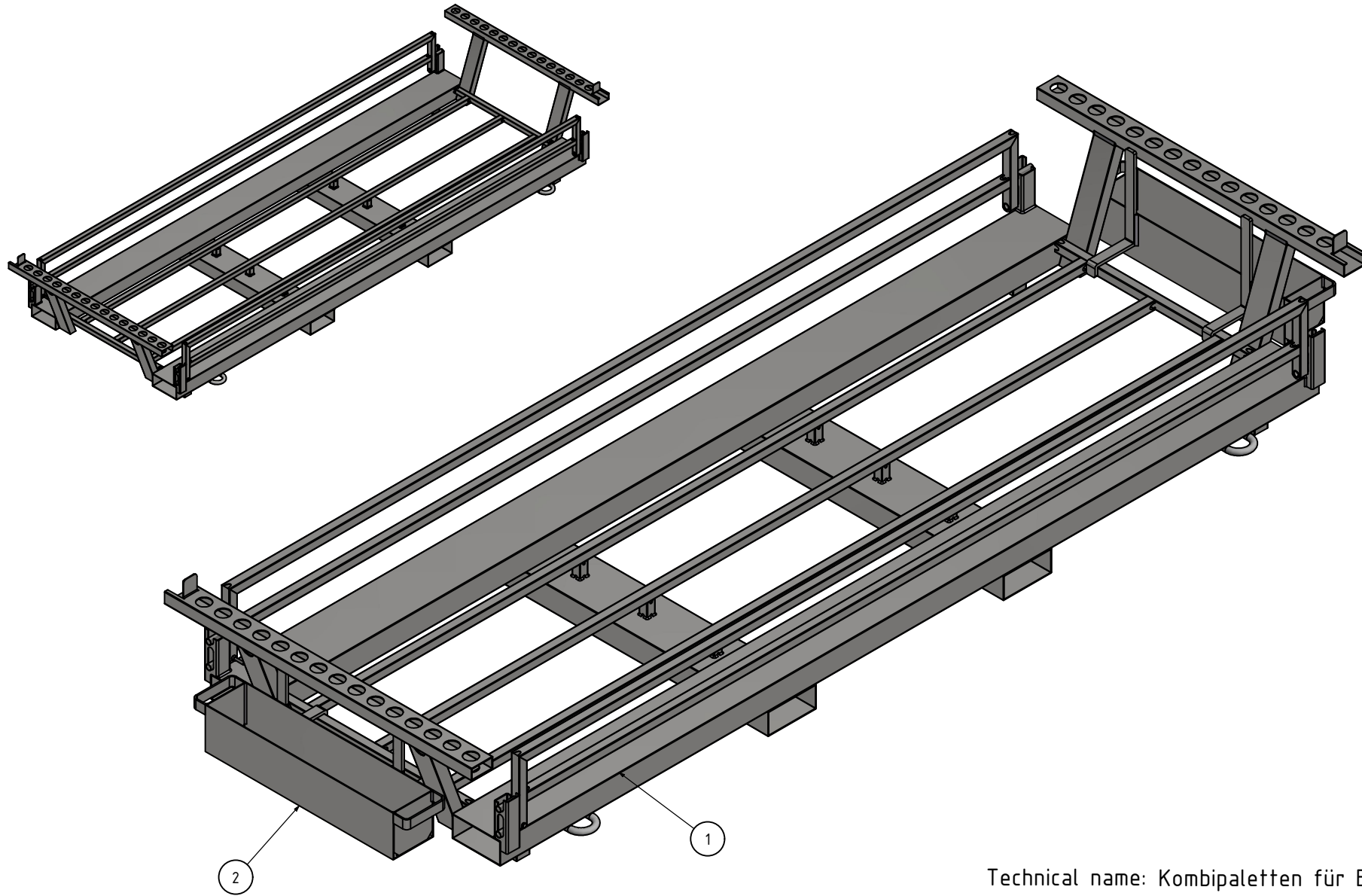
Copyright reserved

| | | | |
|------------|------------|------|-----------|
| drawn by | 10/10/2020 | name | NavAstrid |
| controlled | 10/10/2020 | date | |
| notes | | | |

NavAstrid Metallwaren
88, CTH Road, Veppampattu,
Tamil Nadu - 602024, INDIA.
Email - navamani@navastrid.de

| | |
|------------------------------|------------------|
| mass raw: 11.28 kg | mass coated |
| surface: raw material | material: S235JR |
| title | |
| Box for storing fence clamps | |
| no. of drawing | 1 |
| S4T1991 | A4 |

Product demonstration



Technical name: Kombipaletten für Bauzäune und FüÙe

| | | | |
|------------------|--------------------|-----------------------------|------------------|
| NAVASTRID | Copyright reserved | mass raw: N/A | mass coated |
| | | surface: hot dip galvanized | material: S235JR |
| | | title | |
| | | TP 30 for fence and base | |
| | | no. of drawing | |
| | | S4T1991 PD | |
| | | 2 | |
| | | A4 | |

| PARTS LIST | | | |
|------------|-----|-------------|------------------------------|
| ITEM | QTY | PART NUMBER | DESCRIPTION |
| 1 | 1 | S4T1982 | TP 30 for fence and base |
| 2 | 2 | S4T1991 | Box for storing fence clamps |

| | | | |
|--------|--------------|------|------|
| status | modification | date | name |
|--------|--------------|------|------|