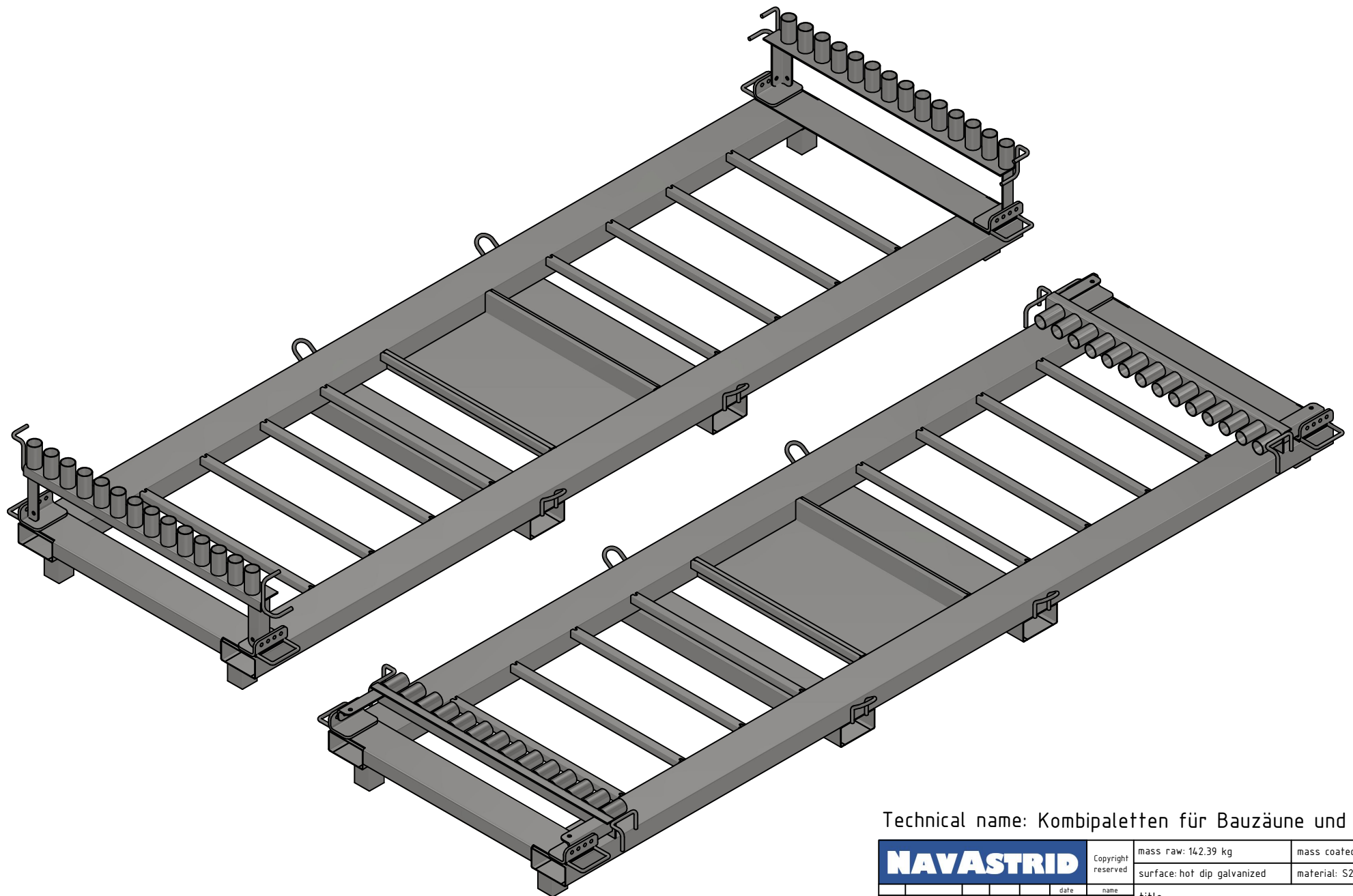


Technical name: Kombipaletten für Bauzäune und FüÙe

NAVASTRID		Copyright reserved	mass raw: 142.39 kg	mass coated: 147 kg
			surface: hot dip galvanized	material: S235JR
		title		
		TP 30 for Metal fence (combi)		
		no. of drawing		1
		S4T1987		A4
status	modification	date	name	

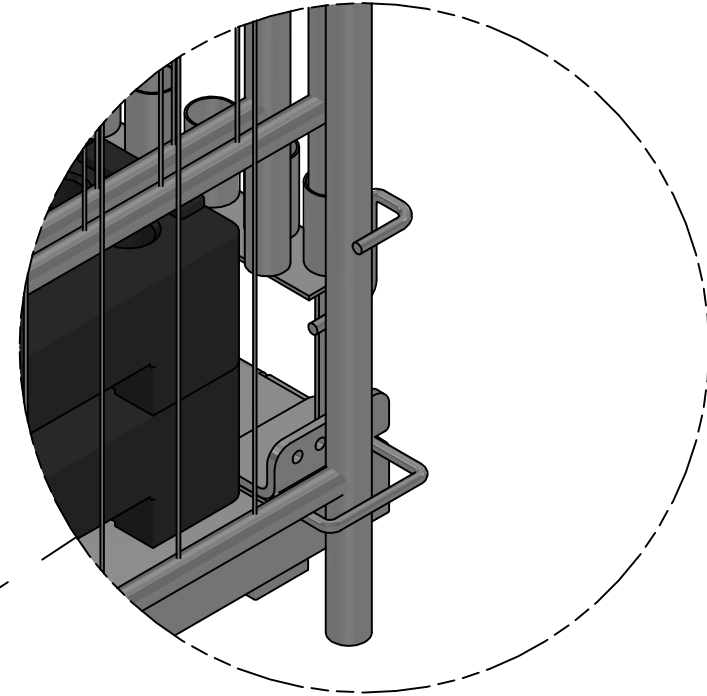
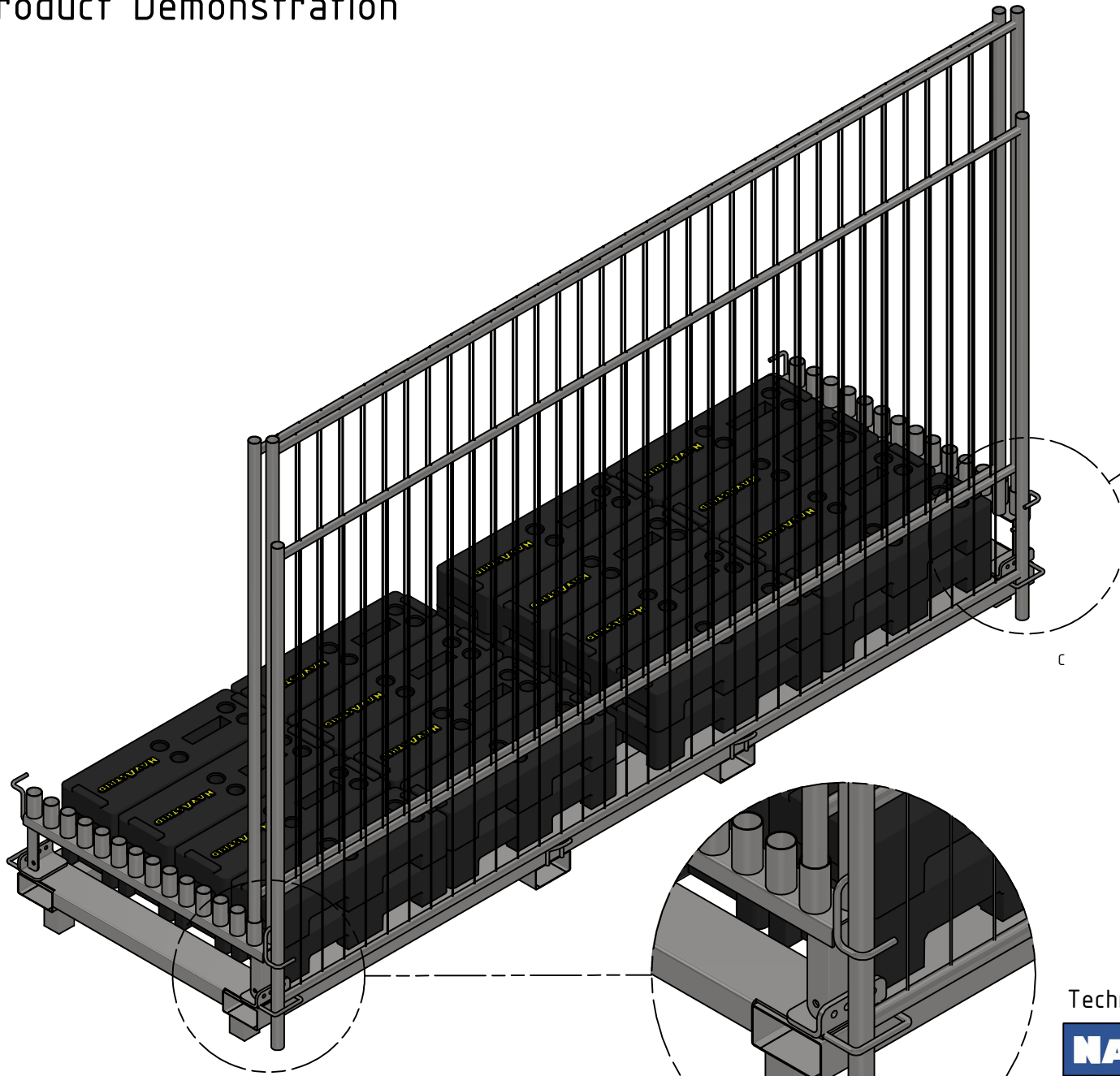
NavAstrid Metallwaren
88, CTH Road, Veppampattu,
Tamil Nadu - 602024, INDIA.
Email - navaman@navastrid.de



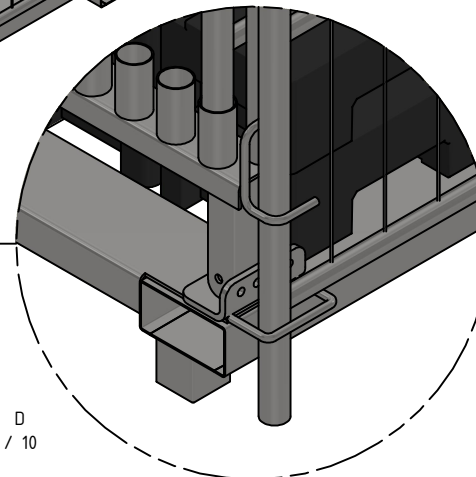
Technical name: Kombipaletten für Bauzäune und FüÙe

NAVASTRID		Copyright reserved	mass raw: 142.39 kg		mass coated: 147 kg	
			surface: hot dip galvanized		material: S235JR	
			date	name		
			drawn by	19/26/2020	poornam	
			controlled	19/26/2020	navamani	
			notes			
			NavAstrid Metallwaren			
			88, CTH Road, Veppampattu,			
			Tamil Nadu - 602024, INDIA.			
			Email - navamani@navastrid.de			
			no. of drawing		2	
			S4T1987		A4	
status	modification	date	name			

Product Demonstration



DETAIL C
SCALE 1 / 7

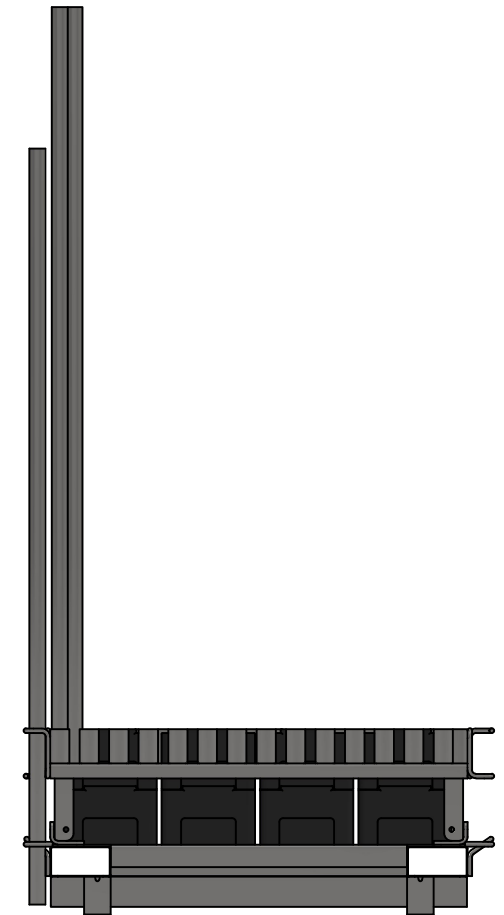
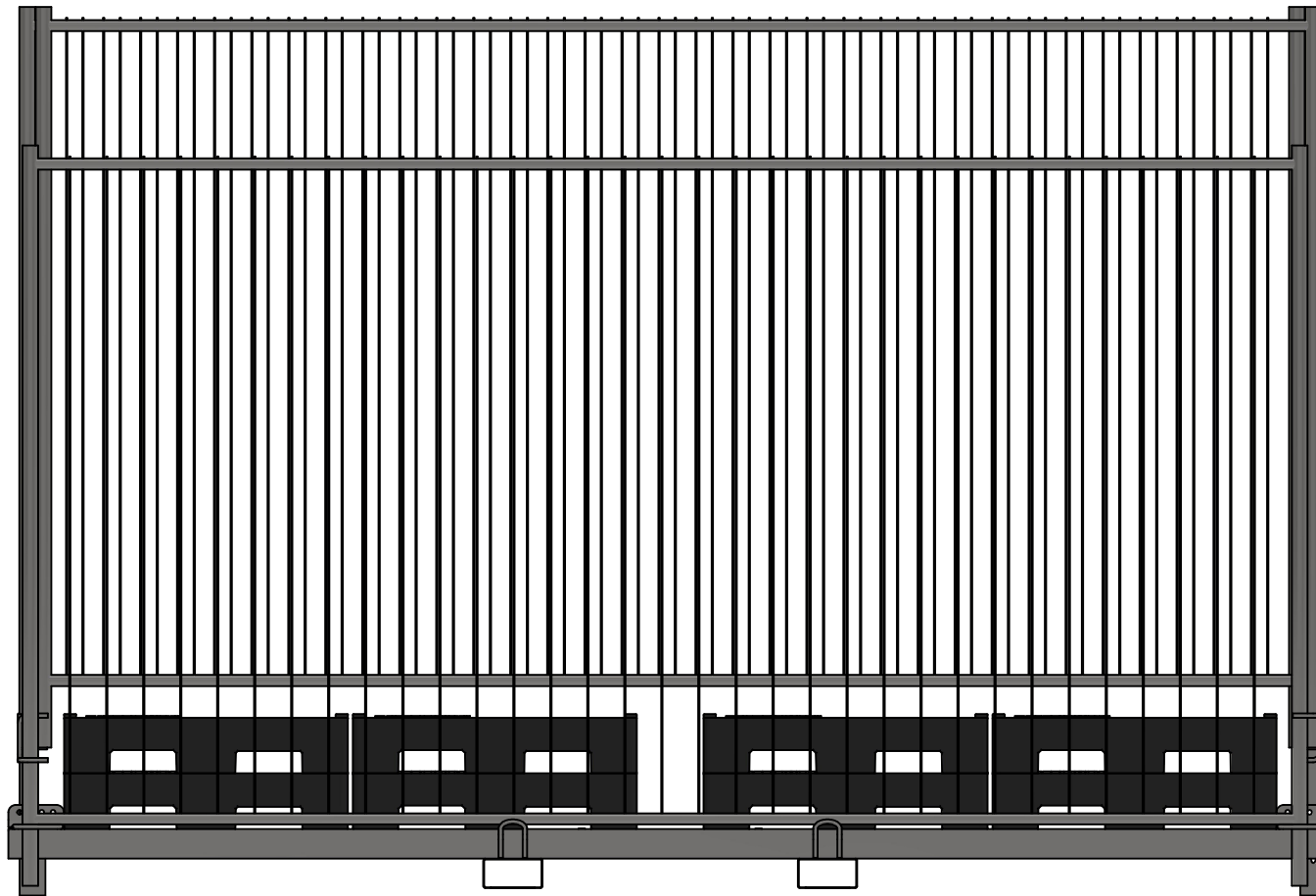


DETAIL D
SCALE 1 / 10

Technical name: Kombipaletten für Bauzäune und FüÙe

NAVASTRID		Copyright reserved	mass raw: N/A	mass coated: 147 kg
			surface: hot dip galvanized	material: S235JR
		date	title	
		drawn by: 19/31/2020 goeman	TP 30 for Metal fence (combi)	
		controlled: 11/31/2020 navamani		
		norms:		
		NavAstrid Metallwaren	no. of drawing	3
		88, CTH Road, Veppampattu, Tamil Nadu - 602024, INDIA. Email - navamani@navastrid.de	S4T1987 - PD	A4
status	modification	date	name	

Product Demonstration



Technical name: Kombipaletten für Bauzäune und FüÙe

NAVASTRID		Copyright reserved	mass raw: N/A	mass coated: 147 kg
			surface: hot dip galvanized	material: S235JR
			title	
			TP 30 for Metal fence (combi)	
			no. of drawing	4
			S4T1987 - PD	A4
status	modification	date	name	

NavAstrid Metallwaren
88, CTH Road, Veppampattu,
Tamil Nadu - 602024, INDIA.
Email - navaman@navastrid.de