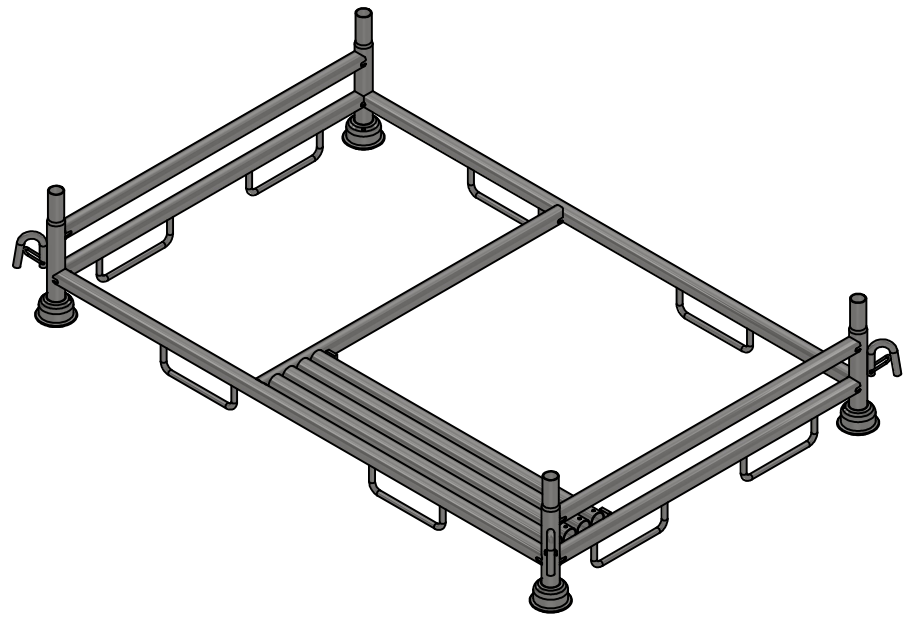
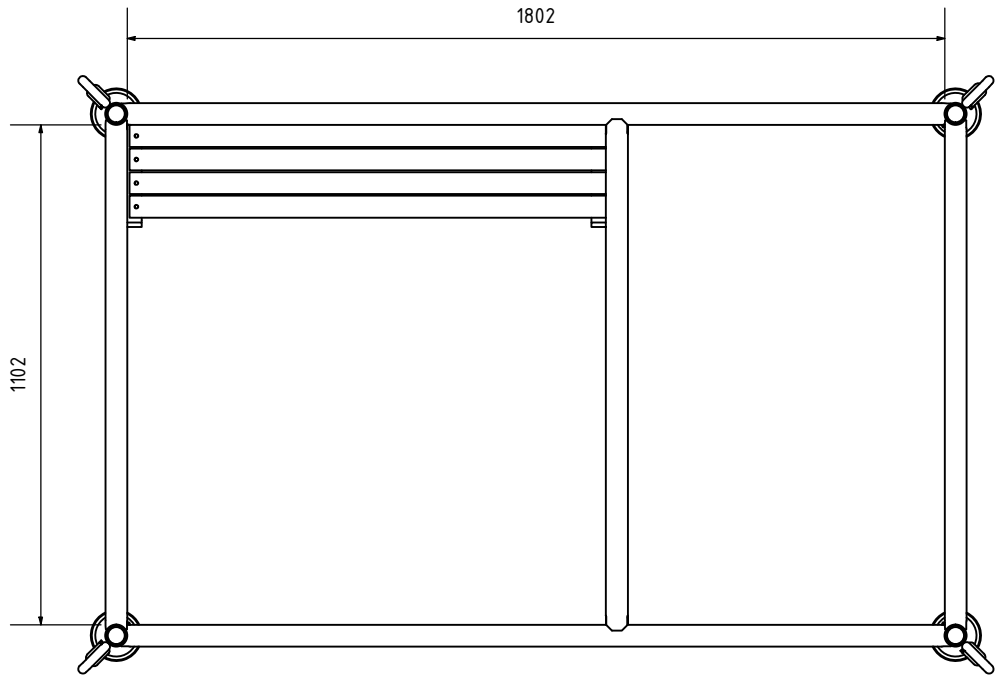
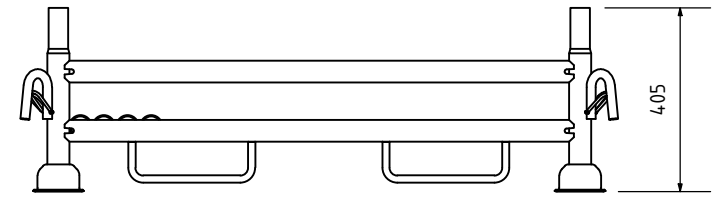
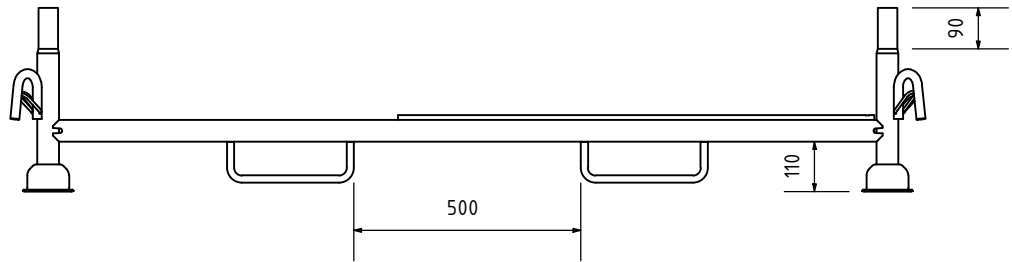


8 7 6 5 4 3 2 1

F  
E  
D  
C  
B  
A

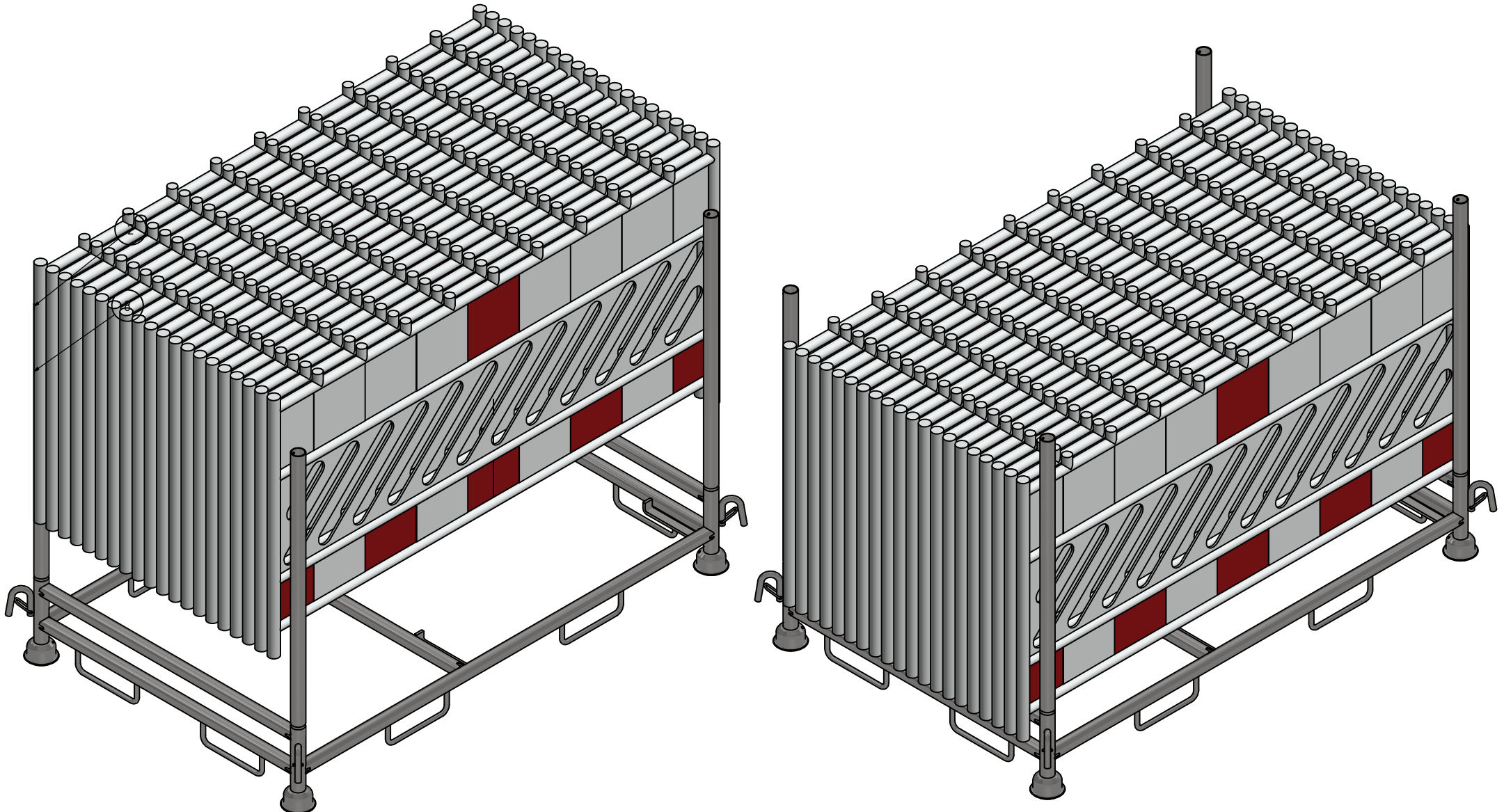


Technical name: Stapelpalette zum Transport von 20 Absturzsicherungen

<b>NAVASTRID</b>		Copyright reserved	mass raw: 53.79 kg	mass coated: 56 kg
			surface: hot dip galvanized	material: S235JR
title			Stacking pallet for 20 panel fence	
no. of drawing			1	
No-S4T1986			A4	
status	modification	date	name	

8 7 6 5 4 3 2 1

# Product demonstration



Technical name: Stapelpalette zum Transport von 20 Absturzsicherungen

<b>NAVASTRID</b> Copyright reserved	mass raw: N/A	mass coated: 56 kg
	surface: hot dip galvanized	material: S235JR
title	Stacking pallet for 20 panel fence	
no. of drawing	S4T1986 - PD	2
		A4

PARTS LIST			
ITEM	QTY	PART NUMBER	DESCRIPTION
1	1	S4T1986 - P3	pipe $\varnothing 48.3 \times 2.6 = 1828.55\text{mm}$
2	20	M10107	panel fence
610	4	601-003	foot

status	modification	date	name	2	1
--------	--------------	------	------	---	---