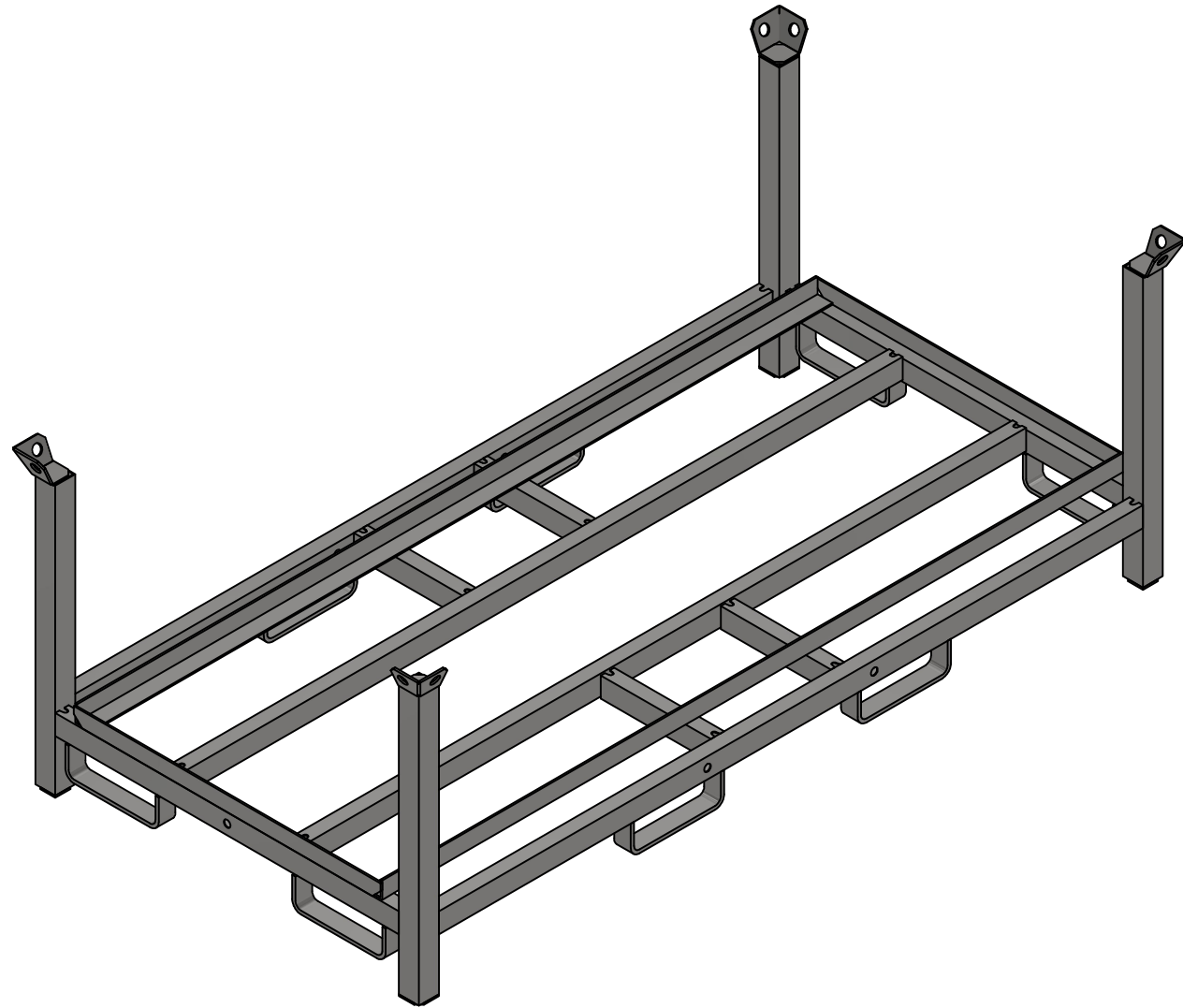


Technical name: Lager- und Transporttraverse für Fußplatten

NAVASTRID		Copyright reserved	mass raw: 88.39 kg	mass coated: 91 kg
			surface: hot dip galvanized	material: S235JR
title			Transport rack for base plate	
no. of drawing			S4T1985	
1			A4	
status	modification	date	name	

NavAstrid Metallwaren
88, CTH Road, Veppampattu,
Tamil Nadu - 602024, INDIA.
Email - navaman@navastrid.de

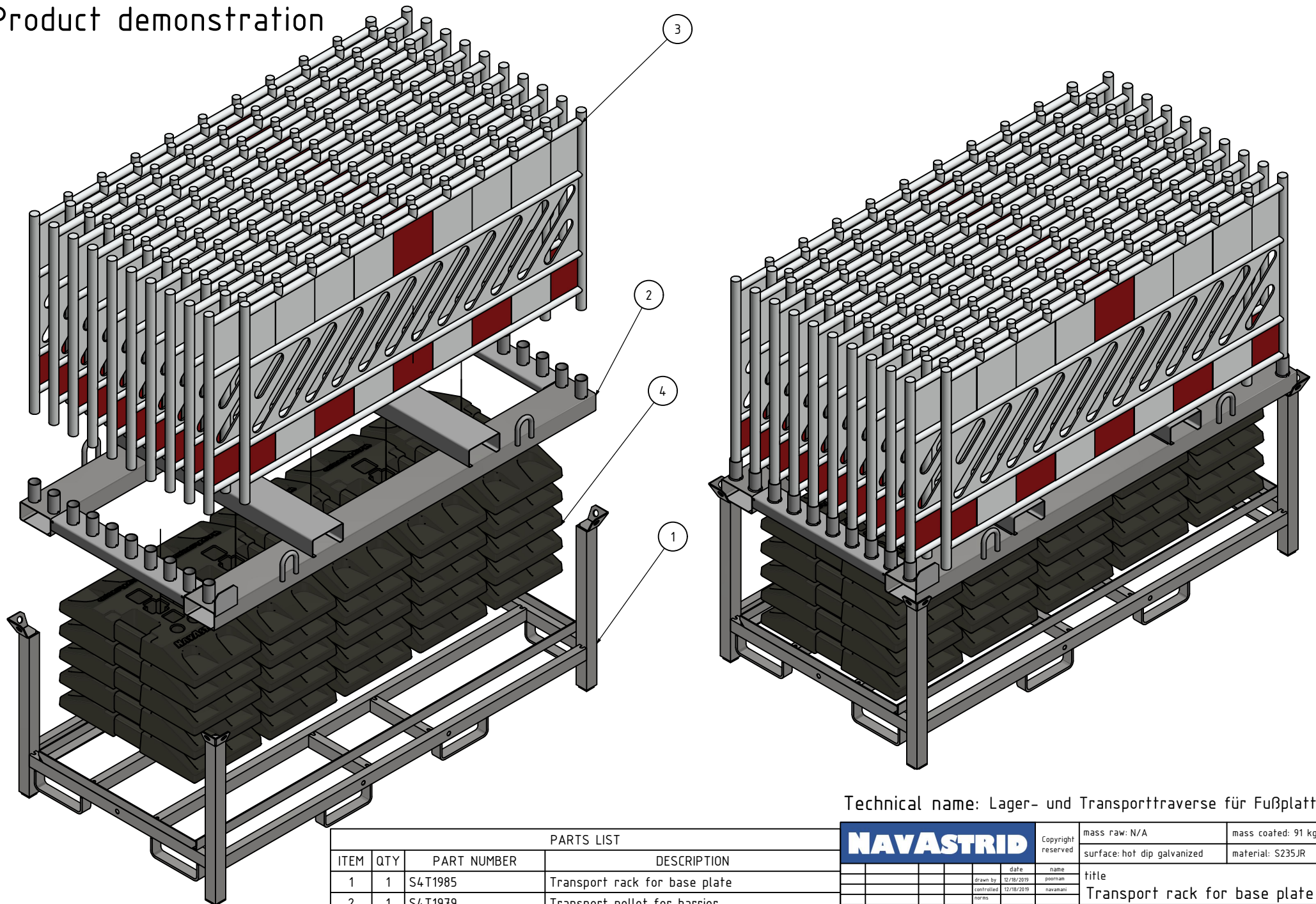


Technical name: Lager- und Transporttraverse für Fußplatten

NAVASTRID		Copyright reserved	mass raw: 88.39 kg	mass coated: 91 kg
			surface: hot dip galvanized	material: S235JR
		title		
		Transport rack for base plate		
		no. of drawing		2
		S4T1985		A4
status	modification	date	name	

NavAstrid Metallwaren
 88, CTH Road, Veppampattu,
 Tamil Nadu - 602024, INDIA.
 Email - navaman@navastrid.de

Product demonstration



Technical name: Lager- und Transporttraverse für Fußplatten

PARTS LIST			
ITEM	QTY	PART NUMBER	DESCRIPTION
1	1	S4-T1985	Transport rack for base plate
2	1	S4-T1979	Transport pellet for barrier
3	20	Under development	Plastic barrier - 2.00m
4	25	Under development	TL Base plate (33 kg), Size 400 x 800 x 120mm

NAVASTRID

Copyright reserved

mass raw: N/A	mass coated: 91 kg
surface: hot dip galvanized	material: S235JR

date	name
drawn by: 12/18/2019	joernan
controlled: 12/18/2019	navaman
norms:	

title	
Transport rack for base plate	
no. of drawing	3
Stacking pallets	A4

status	modification	date	name
--------	--------------	------	------