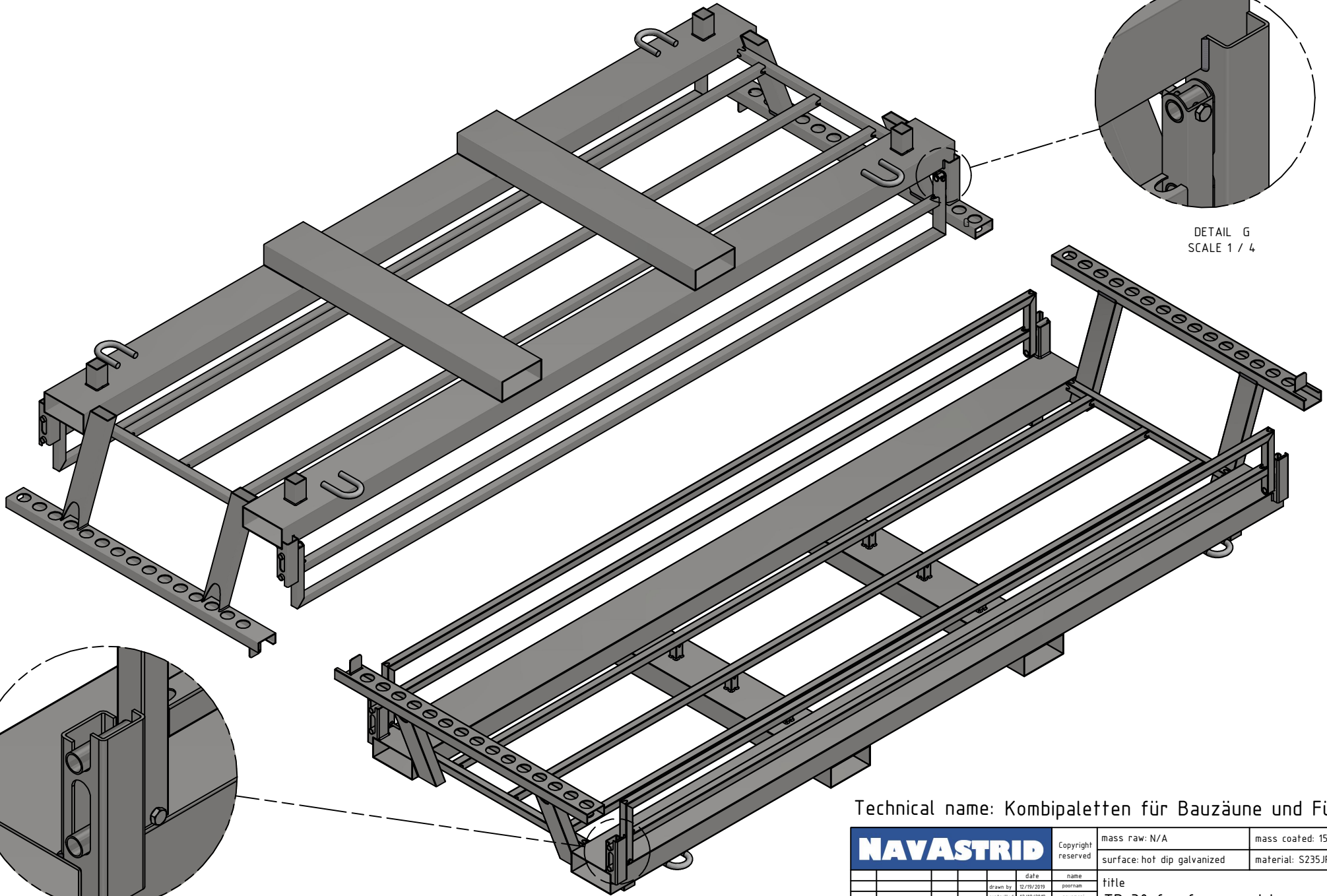
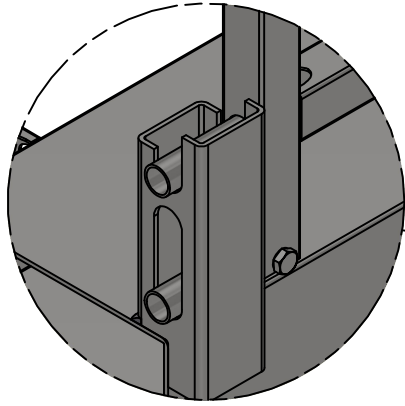


Technical name: Kombipaletten für Bauzäune und FüÙe

NAVASTRID		Copyright reserved	mass raw: 153 kg	mass coated: 157 kg
			surface: hot dip galvanized	material: S235JR
title			no. of drawing	
TP 30 for fence and base			S4T1982	
NavAstrid Metallwaren 88, CTH Road, Veppampattu, Tamil Nadu - 602024, INDIA. Email - navaman@navastrid.de			1	
status modification date name			A4	



DETAIL G
SCALE 1 / 4

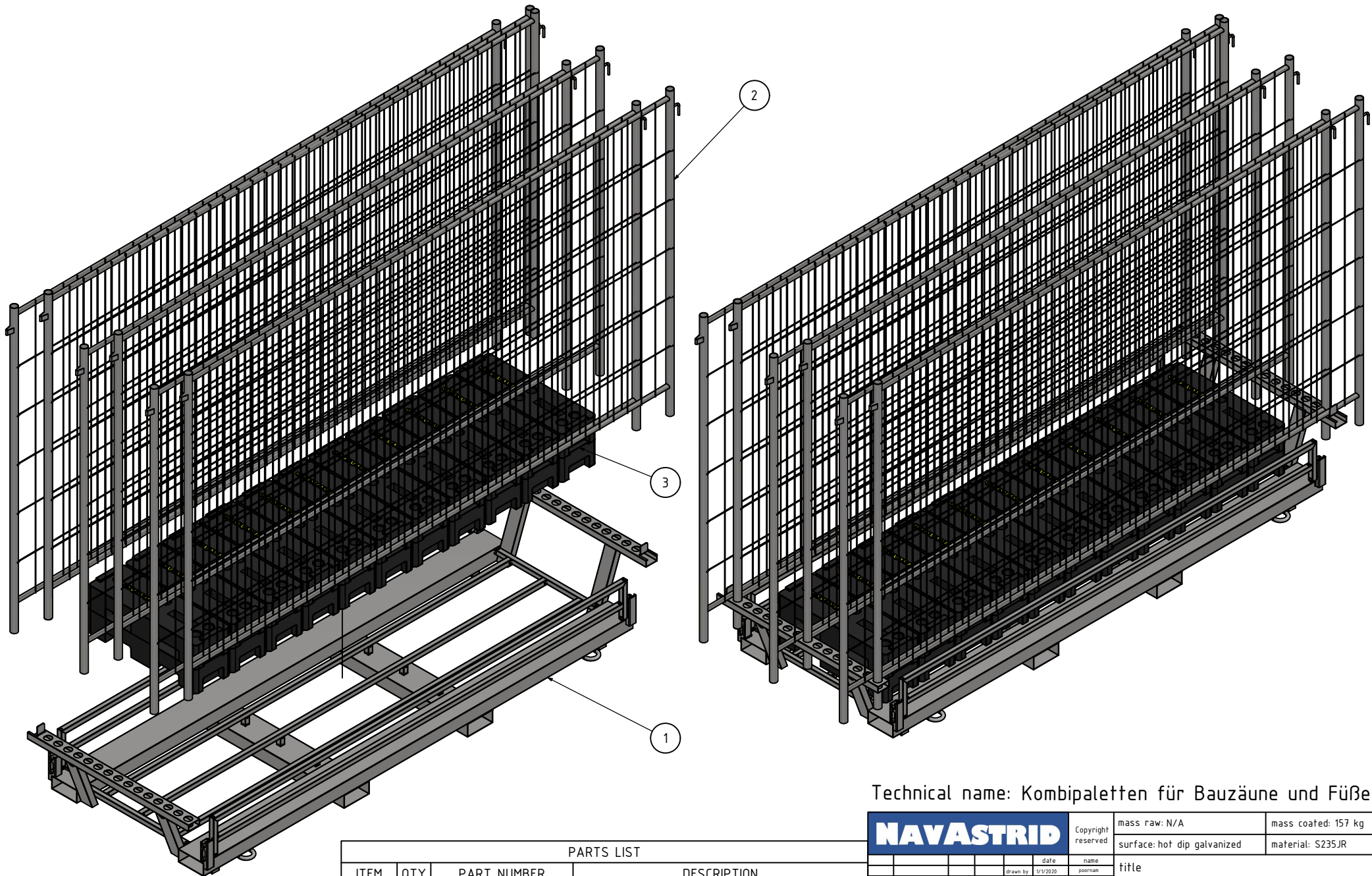


DETAIL F
SCALE 1 / 4

Technical name: Kombipaletten für Bauzäune und FüÙe

NAVASTRID		Copyright reserved	mass raw: N/A	mass coated: 157 kg
			surface: hot dip galvanized	material: S235JR
		date	title	
		drawn by	TP 30 for fence and base	
		controlled	no. of drawing	
		notes	S4T1982	
		NavAstrid Metallwaren		2
		88, CTH Road, Veppampattu,		A4
		Tamil Nadu - 602024, INDIA.		
		Email - navamani@navastrid.de		
status	modification	date	name	

Product demonstration



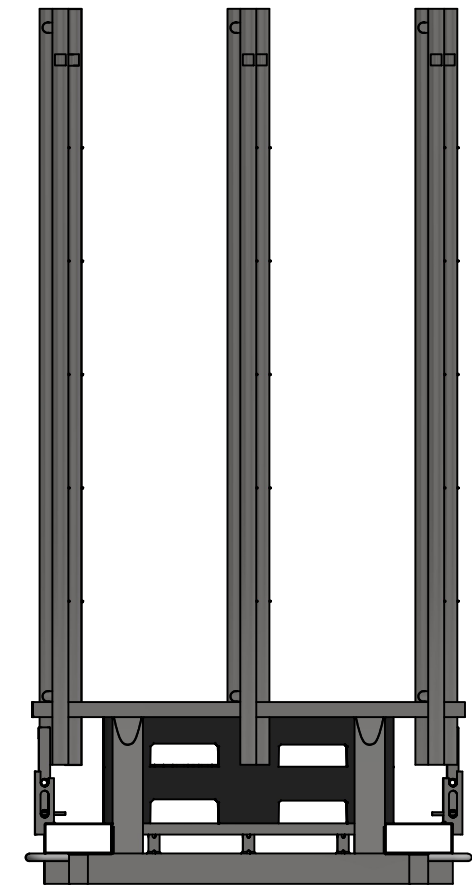
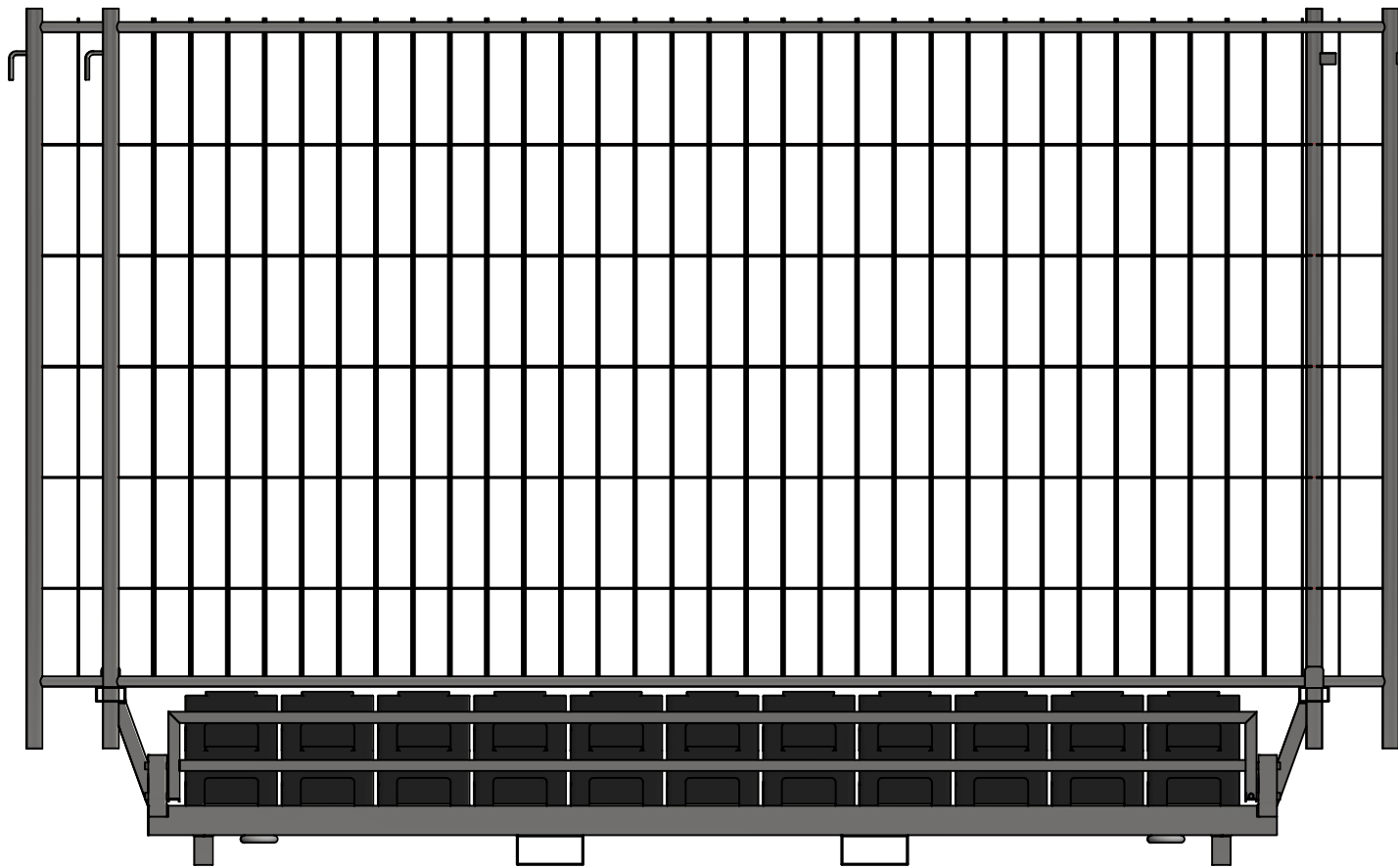
Technical name: Kombipaletten für Bauzäune und FüÙe

PARTS LIST			
ITEM	QTY	PART NUMBER	DESCRIPTION
1	1	S4T1982	TP 30 for fence and base
2	7	941182047	Metal fence - width 3.50 m, height 2.00 m
3	22	4B701 - Typ1	Base plate for temporary fence

NAVASTRID	Copyright reserved	mass raw: N/A	mass coated: 157 kg
		surface: hot dip galvanized	material: S235JR
		title	
		TP 30 for fence and base	
		no. of drawing	
		S4T1982-DP	
		3	
		A4	
status	modification	date	name

A

Product demonstration



Technical name: Kombipaletten für Bauzäune und FüÙe

NAVASTRID		Copyright reserved	mass raw: N/A	mass coated: 157 kg
			surface: hot dip galvanized	material: S235JR
			title	
			TP 30 for fence and base	
			no. of drawing	4
			S4T1982-DP	A4
status	modification	date	name	

NavAstrid Metallwaren
 88, CTH Road, Veppampattu,
 Tamil Nadu - 602024, INDIA.
 Email - navamani@navastrid.de