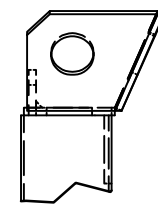
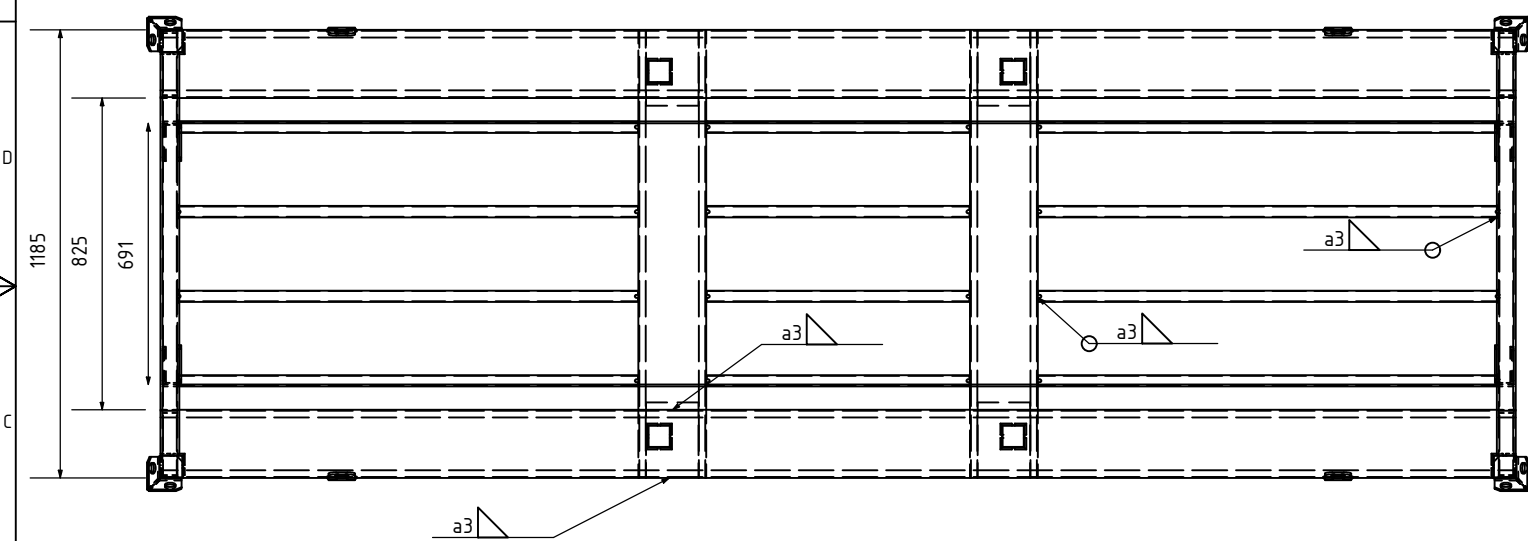
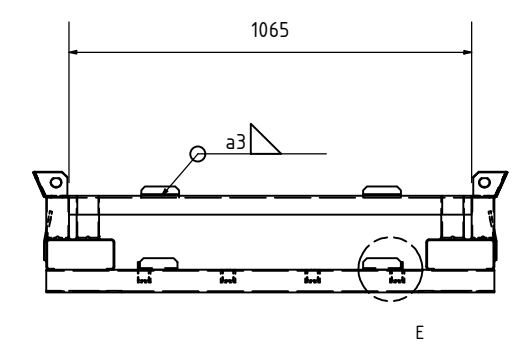
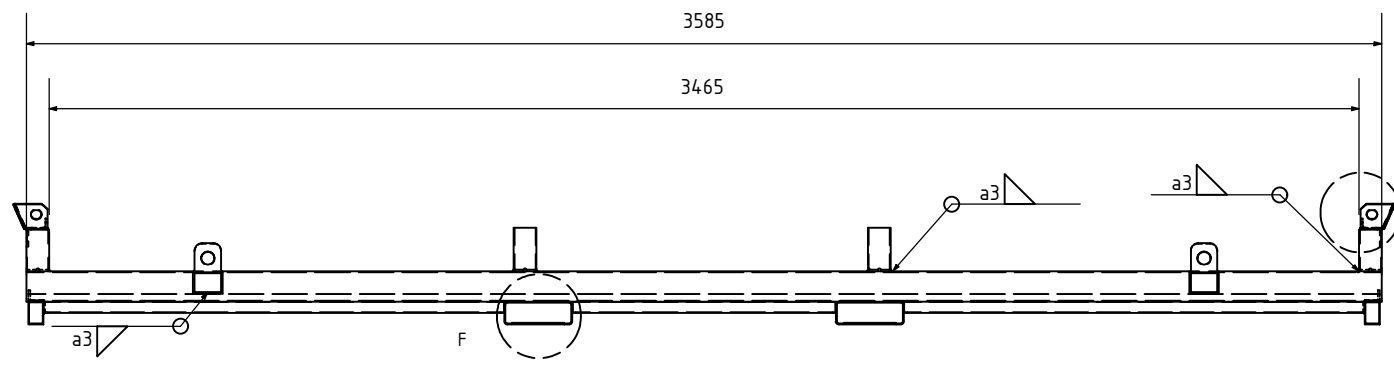
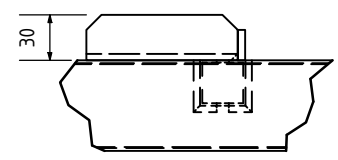


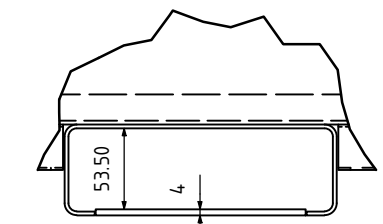
8 7 6 5 4 3 2 1



DETAIL C
SCALE 1 / 5



DETAIL E
SCALE 1 / 5

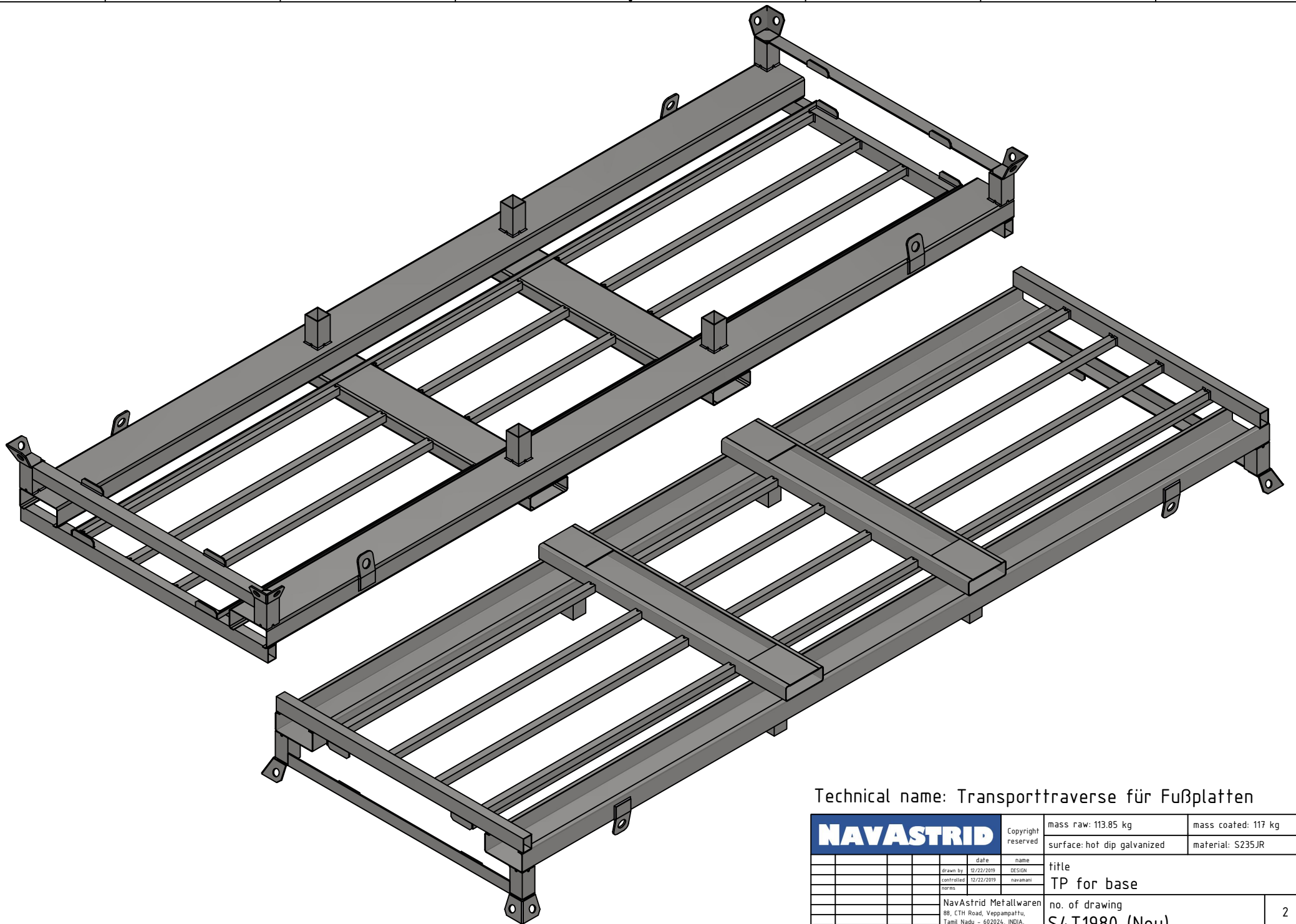


DETAIL F
SCALE 1 / 5


Technical name: Transporttraverse für Fußplatten

NAVASTRID Copyright reserved		mass raw: 113.85 kg	mass coated: 117 kg
		surface: hot dip galvanized	material: S235JR
		title TP for base	
		no. of drawing S4T1980 (Neu)	
		1	
		A4	
status	modification	date	name

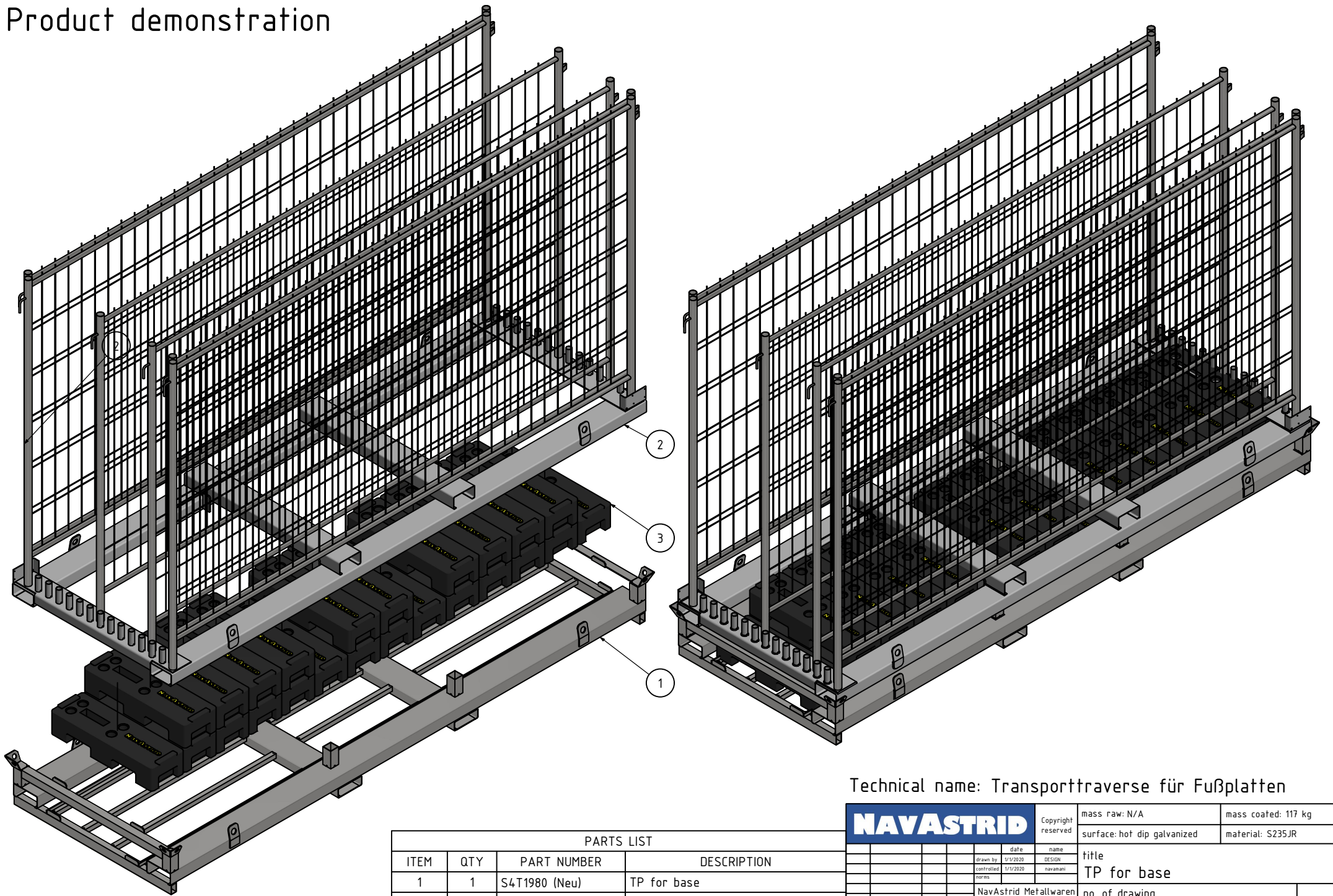
8 7 6 5 4 3 2 1



Technical name: Transporttraverse für Fußplatten

		Copyright reserved		mass raw: 113.85 kg	mass coated: 117 kg
				surface: hot dip galvanized	material: S235JR
			date	name	
		drawn by	12/22/2019	DESIGN	
		controlled	12/22/2019	navamani	
		notes			
				NavAstrid Metallwaren	
				88, CTH Road, Veppampattu,	
				Tamil Nadu - 602024, INDIA.	
				Email - navamani@navastrid.de	
status	modification	date	name	no. of drawing	
				S4T1980 (Neu)	
				2	
				A4	

Product demonstration



Technical name: Transporttraverse für Fußplatten

PARTS LIST			
ITEM	QTY	PART NUMBER	DESCRIPTION
1	1	S4T1980 (Neu)	TP for base
2	1	S4T1977 (neu) - PD	TP for Metal Fence
3	25	4B701 - Typ1	Base plate for temporary fence

NAVASTRID	Copyright reserved	mass raw: N/A	mass coated: 117 kg
		surface: hot dip galvanized	material: S235JR
		title	
		TP for base	
		no. of drawing	
		S4T1980-PD	
			3
			A4

status	modification	date	name
--------	--------------	------	------