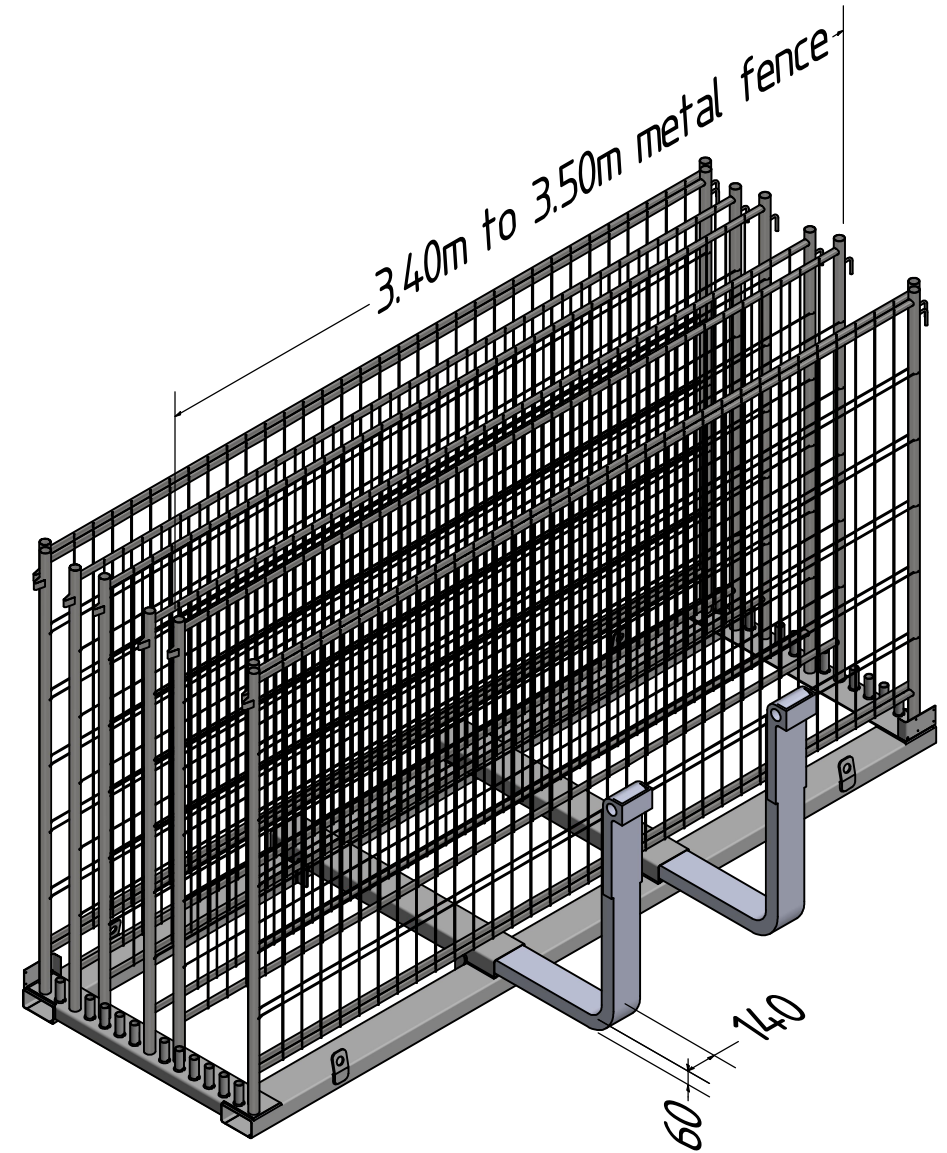
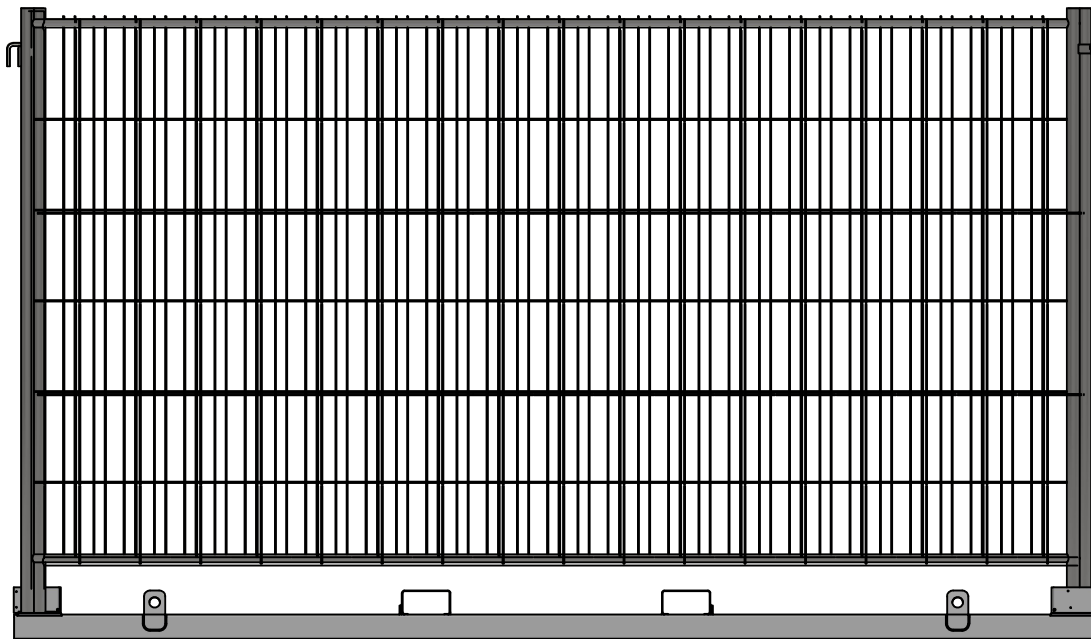
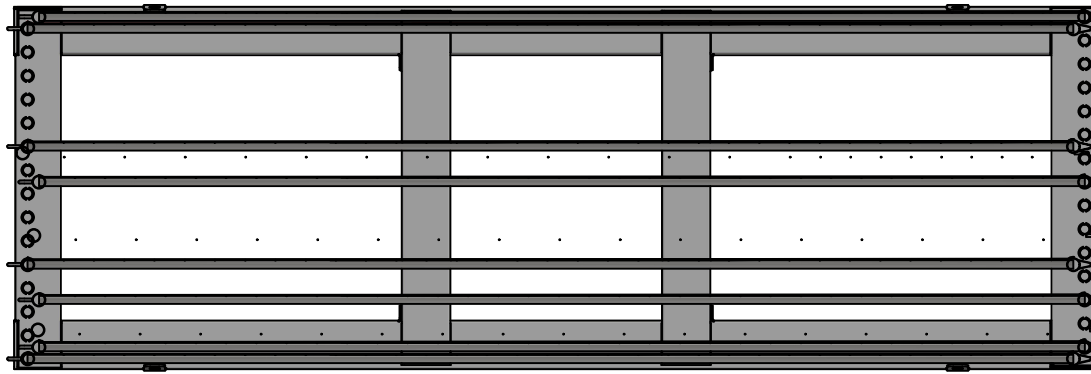


Technical name: Lager- und Transporttraverse

NAVASTRID		Copyright reserved	mass raw: N/A	mass coated: 99 kg
			surface: hot dip galvanized	material: S235JR
			title	
			TP for 30 metal fence	
			no. of drawing	
			S4T1977 (neu)	
			2	
			A4	
status	modification	date	name	

NavAstrid Metallwaren
 88, CTH Road, Veppampattu,
 Tamil Nadu - 602024, INDIA.
 Email - navamani@navastrid.de

Product Demonstration



NOTE: Make sure maximum forklift arms shouldn't be more than 150mm width x 70mm thickness

Technical name: Lager- und Transporttraverse

Note: This pallet can hold metal fence from range 3.40metre to 3.50metre...

NAVASTRID		Copyright reserved	mass raw: N/A	mass coated: 99 kg
			surface: hot dip galvanized	material: S235JR
		date	title	
		drawn by	TP for 30 metal fence	
		checked		
		name		
		no. of drawing	3	
		NavAstrid Metallwaren	S4T1977 (neu) - PD	
		88, CTH Road, Veppampattu,		
		Tamil Nadu - 602024, INDIA.		
		Email - navaman@navastrid.de		
status	modification	date	name	A4